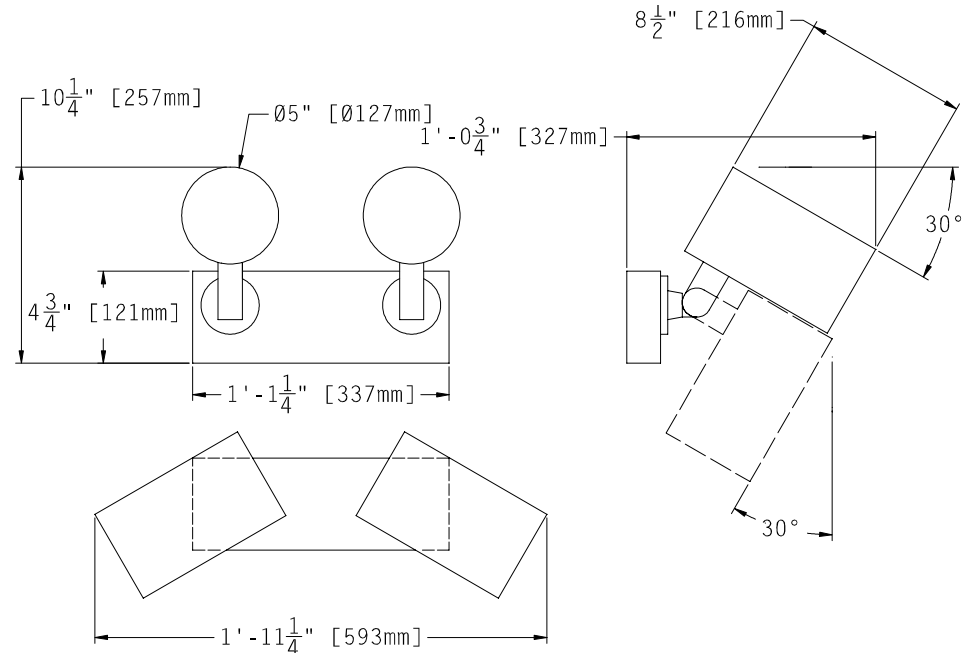




5 Wisconsin Ave.
Norwich, CT 06360
Tel. (860) 887-4550
Fax (860) 887-4534
www.lamphead.com (Product)
www.nutron-mfg.com (Company)



0727-2 Series Surface Double Cylinder Emergency Fixture



Construction: Steel Housing , Cast Aluminum Swivels w/ Powder Coated Steel Cylinder Shrouds .

Standard Colors: Powder coated White / Black Housing (Custom colors available consult factory for details)

Electronic Specifications:

Input : 120/277 VAC 60HZ, 12W

Output: (2) 6v 6w Halogen Bi -Pin Lamp for 90 min.

Sealed Maintenance Free Lead Calcium Battery 6V 4AH

24 hour recharge after 90 min discharge

UL listed 924– Multiple Listing Available

Options : Polycarbonate or Glass Lens, Tamperproof Screws